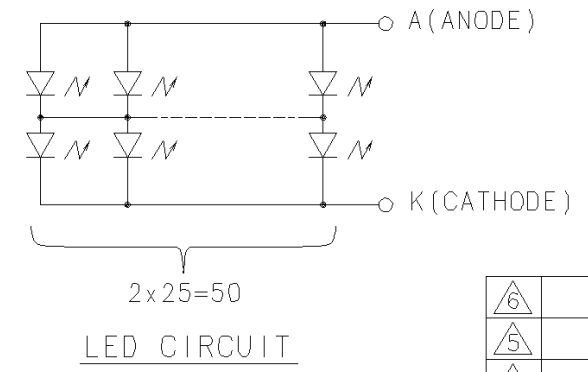


DOT DETAIL SCALE(10/1)

PIN ASSIGNMENT (I/O)			
PIN No.	SYMBOL	PIN No.	SYMBOL
1	Vss	9	DB2
2	Vcc	10	DB3
3	VEE	11	DB4
4	RS	12	DB5
5	R/W	13	DB6
6	E	14	DB7
7	DB0	15	LED ANODE
8	DB1	16	LED CATHODE



TOLERANCE			
MEASURE	A	Ⓟ	C
1≤16	±0.1	±0.3	±1
16<1≤63	±0.2	±0.5	±1.5
63<1≤250	±0.3	±0.8	±2
250<1≤500	±0.5	±1.2	±3
500<1≤1000	±0.8	±2	±4
	ANGLE		
	±30'	±1°	±2°

6							
5					MATERIAL	FINISH	Q'ty
4					3rd ANGLE PROJECTION	TOLERANCE CLASS: B	NOTE
3					APPROVED	MODEL	SCALE: 1/1
2					CHECKED	DMC40202 LED Series	
1					TITLE		
ISSUE	DATE	REVISIONS	NAME	DRAWN	CODE	DIMENSIONAL OUTLINE	
				DESIGNED	DRAWING No.	UE-33859	

OPTREX CORPORATION